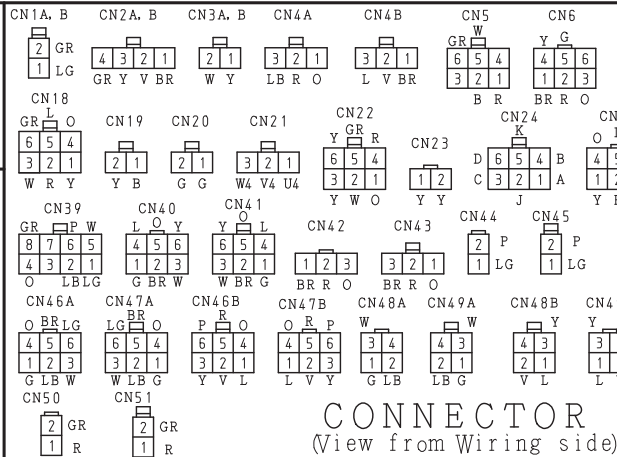
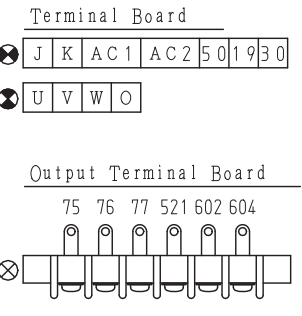
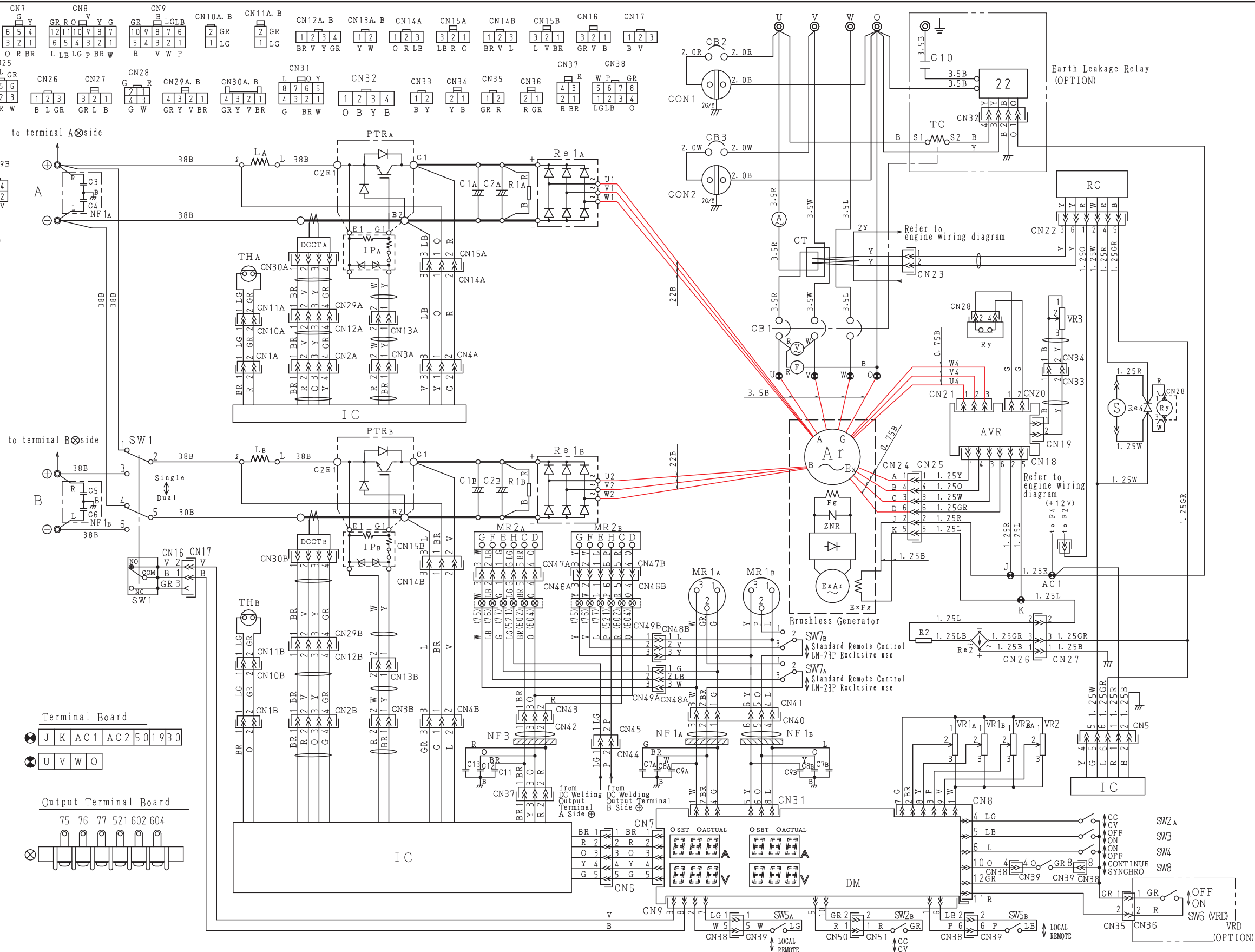


機式:F30-005A



CONNECTOR
(View from Wiring side)

SYMBOL	PARTS NAME
V	AC Voltmeter
A	AC Ammeter
F	Frequency meter
CB1	AC Circuit Breaker
U, V, W, O	AC Output Terminal
⊙	Terminal Board
Re1A, B	Rectifier
C1A, B	Condenser
C2A, B	Condenser
R1A, B	Resistor
PTRA, B	IGBT
IPA, B	Protector, transistor (IGBT)
IC	Control Unit, transistor (IGBT)
DM	Digital Panel
LAB	DC Reactor
VR1A, B	Current/Voltage Regulator
VR2A, B	Arc Force Regulator
DCCTA, B	DC Current Transformer
SW1	Single-Dual Selector Switch
SW2A, B	Welding Mode Selector Switch (CC/CV)
SW3	Mode Switch
THA, B	Thermostat
NF1A, B	Surge Filter
⊕ ⊖	DC Welding Output Terminal
⊙	Terminal Board
AVR	Automatic Voltage Regulator
Re2	Rectifier
R2	Resistor
VR3	Voltage Regulator
Ry	Relay
Re4	Rectifier
RC	Control Unit, idle control
CT	Current Transformer
S	Rotary Solenoid
SW4	Idle control Switch
SW5A, B	Output Control Selector Switch
SW7A, B	Socket Selector Switch
SW8	OCV Selector Switch
MR1A, B	Remote Socket
MR2A, B	Feeder Socket
NF2A, B, 3	Noise Filter
C7~9A, B 11~13	Condenser
⊙	Terminal Board
CON1, 2	AC Output Receptacle
CB2, 3	AC Circuit Breaker
OPTION (for Earth Leakage Relay)	
22	Earth Leakage Relay
C10	Condenser
⊕	Ground Terminal (for ELR)
OPTION (for VRD)	
SW6	VRD Selector
* A	Welding Side A
* B	Welding Side B
* Ex	ABCD Excitation(for AVR)
* G	AC Generator



Wire Size	WIRING COLOR CODE			
	SYMBOL	COLOR	SYMBOL	COLOR
1.25: 1.25mm ²				
2: 2mm ²	B	BLACK	R	RED
3.5: 3.5mm ²	L	BLUE	W	WHITE
5.5: 5.5mm ²	BR	BROWN	Y	YELLOW
8: 8mm ²	G	GREEN	LB	LIGHT BLUE
30: 30mm ²	GR	GRAY	LG	LIGHT GREEN
	V	VIOLET	O	ORANGE
NO MARK: 0.75mm ²	P	PINK		

承認	検 査	担 当
平澤 文隆	末永 憲二	小松 直己
作成日	2019.12.04	尺 度
		1:1

型 式	
DCW-480ESW Evo III Limited Edition	
図 面 名 称	
発電機結線図	
GENERATOR WIRING DIAGRAM	
図 面 番 号	
D68140 01413A	