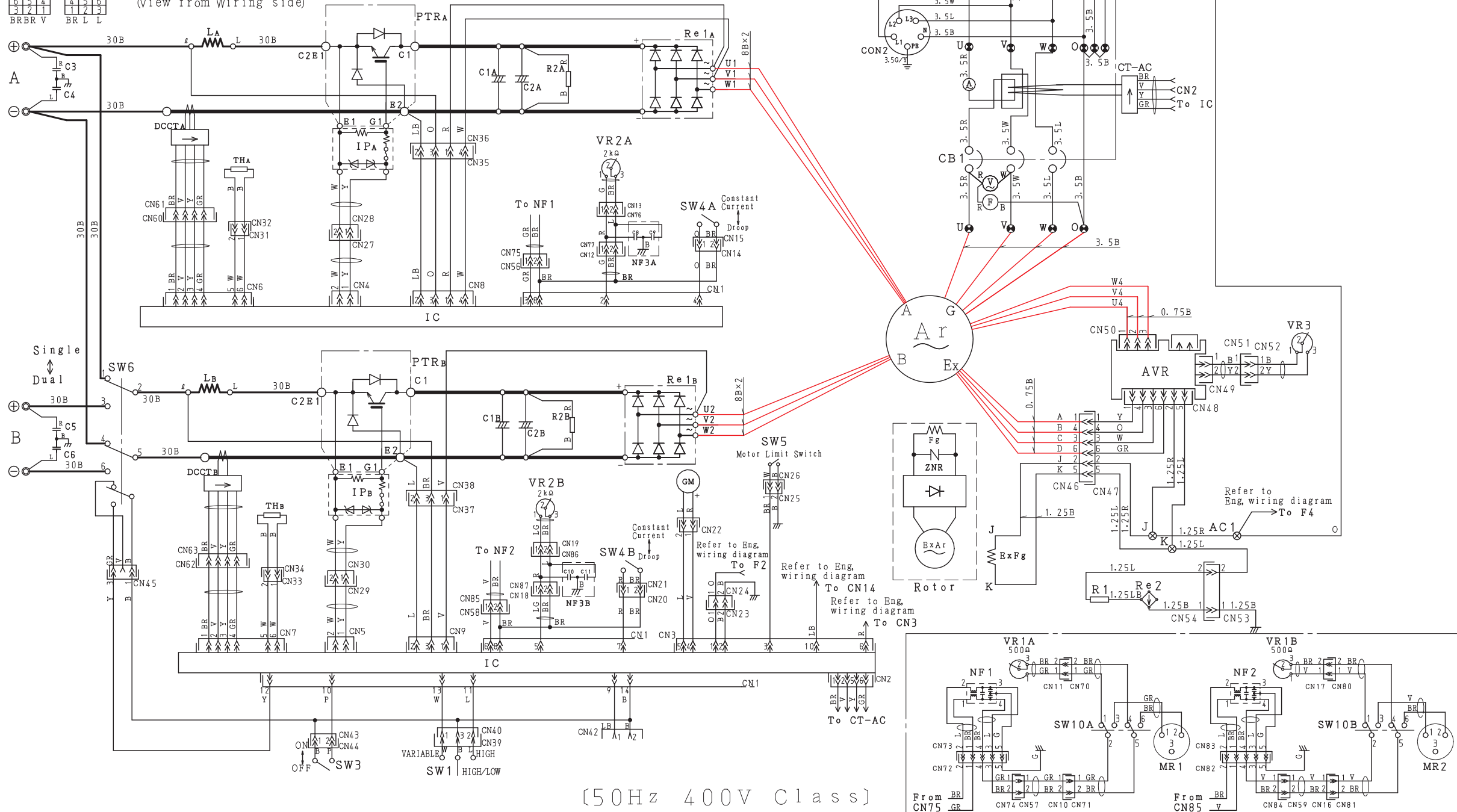


SYMBOL	PARTS NAME
Ar	Armature Ass'y
Rotor	Rotor Ass'y
CON1, 2	3-Phase AC Circuit Receptacle
CON3, 4	1-Phase AC Circuit Receptacle
CB1, 2	AC Circuit Breaker
V	AC Voltmeter
A	AC Ammeter
F	Frequency Meter
TB1 ⊗	Terminal Board
TB2 ⊗	Terminal Board
TB3 ⊗	Terminal Board
⊕ ⊖	DC Welding Output Terminal
L A, B	DC Reactor
TH A, B	Thermistor
IC	Control Unit, transistor (IGBT)
IP A, B	Protector, transistor (IGBT)
DCCTA, B	Current Transformer
PTR A, B	IGBT
Re1 A, B	Rectifier
Re2	Rectifier
C1, 2 A, B	Condenser
C3~6	Surge Filter
C7~C11	Condenser
VR1 A, B	Current Regulator
VR2 A, B	Arc Force Regulator
VR3	Voltage Regulator
AVR	Automatic Voltage Regulator
CT-AC	Current Transformer
GM	Geared Motor
SW1	e-mode Selector Switch
SW3	VRD Switch
SW4 A, B	Welding Mode Selector Switch
SW5	Motor Limit Switch
SW6	Single-Dual Selector Switch
SW10 A, B	Remote Control Switch
R1	Resistor
R2 A, B	Resistor
NF1, 2	Noise Filter
NF3A, B	Noise Filter
MR1, 2	Remote Control Receptacle
22	Earth Leakage Relay
⊥	Ground Terminal for ELR
* A	Welding Side A
* B	Welding Side B
* Ex	ABCD Excitation (for AVR)
* G	AC Generator



[50Hz 400V Class]

Wire Size	WIRING COLOR CODE
1.25: 1.25mm ²	SYMBOL COLOR SYMBOL COLOR
2: 2mm ²	B BLACK R RED
3.5: 3.5mm ²	L BLUE W WHITE
5.5: 5.5mm ²	BR BROWN Y YELLOW
8: 8mm ²	G GREEN LB LIGHT BLUE
30: 30mm ²	GR GRAY LG LIGHT GREEN
NO MARK: 0.75mm ²	V VIOLET O ORANGE
	P PINK

承認	検 図	担当
平澤 文隆	笠原 祥宏	松本 太輝
作成日	2022.04.27	尺度
		1:1

型 式
DLW-400LSW
図面名称
発電機結線図
GENERATOR WIRING DIAGRAM
図面番号
D58140 03013